

PROJECT	DATE
TYPE	QTY

### INDOOR/OUTDOOR FIBER OPTIC END FITTING



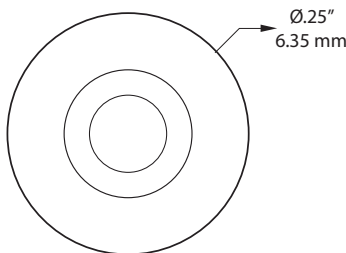
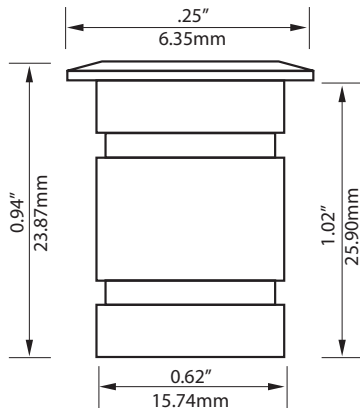
**ILL-PA-21**

#### DESCRIPTION:

This small round walkover paver light manufactured from stainless steel is designed to be used with an 8mm smooth ferrule.

An M4 grub screw is used to secure the ferrule into the paver. An optional mounting spring can be used to mount this fitting into surfaces such as ceilings, hollow walls or floors.

Suitable for use in a variety of different applications these lights are the ideal solution for indoor and outdoor floor level lighting.



#### USES:

- Marker lighting for pathways and entrances
- Wall washing, inside or out
- Up lighting columns or archways
- Mood or task lighting in any home interior and exterior
- Wooden Floors
- Decking
- Paving
- Stair skirting
- Concrete

#### SPECIFICATIONS:

Glass:	Ø13mm clear or frosted glass
Beam Angle:	54°
Material:	Stainless Steel Natural Finish
Weight:	29.3g
Flange Size:	Ø25mm
Mounting Hole Size:	Ø19mm
Ferrule Size:	8mm Smooth
Min. Fiber Size:	Ø2mm
Max Fiber Size:	Ø8mm
Protection Rating:	IP44

**ORDERING** | Example: ILL-PA-21 - CG ILL-PA-21 with clear glass lens

MODEL	LENS FINISH
ILL-PA-21 .25" Stainless Steel Fiber Optic End Fitting	CG - Clear Glass FG - Frosted Glass

### ILLUMINATI

A DIVISION OF IMPACT LIGHTING INC.

2101 West Central Blvd. Orlando, Florida 32805 USA • Phone: 1.800.507.5714 • Email: sales@impactlightinginc.com

[www.ledfiberopticalightsource.com](http://www.ledfiberopticalightsource.com)