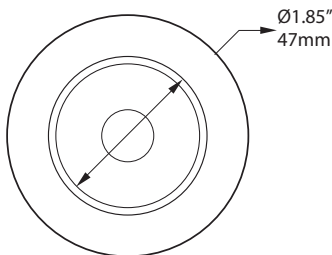
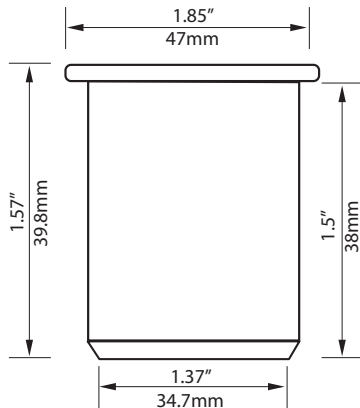


PROJECT	DATE
TYPE	QTY

### INDOOR/OUTDOOR FIBER OPTIC END FITTING



ILL-PA-1



#### DESCRIPTION:

Manufactured from stainless steel this round walkover paver light with flush lens comes with clear or frosted glass options. Clear glass gives greater light output allowing light to travel further, while the frosted glass creates a diffused marker light effect. Suitable for use in a variety of different applications these lights are the ideal solution for indoor and outdoor floor level lighting.

#### USES:

- Marker lighting for pathways and entrances
- Wall washing, inside or out
- Up lighting columns or archways
- Mood or task lighting in any home interior and exterior
- Wooden Floors
- Decking
- Paving
- Stair skirting
- Concrete

#### SPECIFICATIONS:

Glass:	Ø30mm clear or frosted glass
Beam Angle:	60°
Material:	Stainless Steel Natural Finish
Weight:	180g
Flange Size:	Ø47mm
Mounting Hole Size:	Ø36mm
Ferrule Size:	M10 or 8mm Smooth
Min. Fiber Size:	Ø2mm
Max Fiber Size:	Ø8mm

**ORDERING** | Example: ILL-PA-1 - CG ILL-PA-1 with clear glass lens

MODEL	LENS FINISH
ILL-PA-1 1.85" Stainless Steel Fiber Optic End Fitting	CG - Clear Glass FG - Frosted Glass

### ILLUMINATI

A DIVISION OF IMPACT LIGHTING INC.

2101 West Central Blvd. Orlando, Florida 32805 USA • Phone: 1.800.507.5714 • Email: sales@impactlightinginc.com

[www.ledfiberopticlightsources.com](http://www.ledfiberopticlightsources.com)