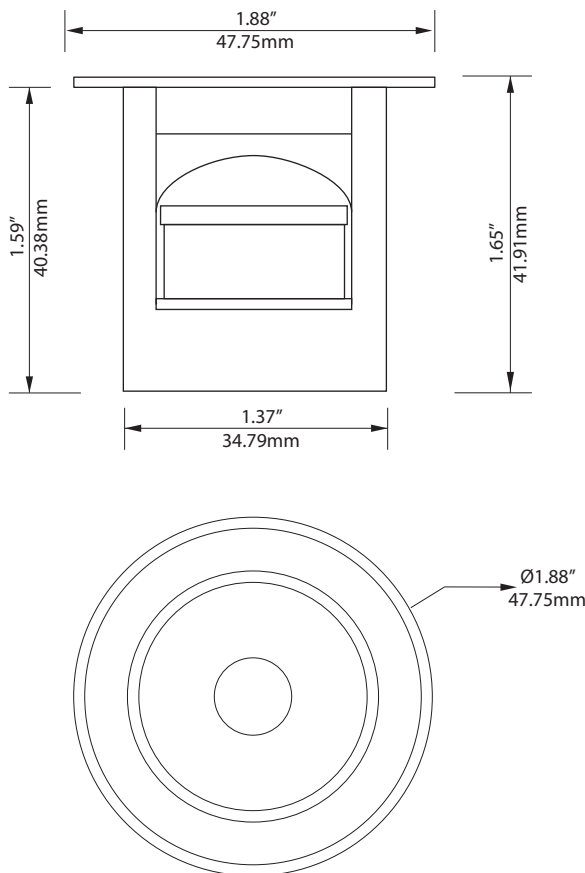


PROJECT	DATE
TYPE	QTY

INDOOR/OUTDOOR FIBER OPTIC END FITTING



ILL-PA-19



DESCRIPTION:

Manufactured from stainless steel this round paver light with a clear glass front flat lens and an internal domed lens creating a focused light beam. Suitable for use in a variety of different applications these lights are the ideal solution for indoor and outdoor floor level lighting.

USES:

- Marker lighting for pathways and entrances
- Wall washing, inside or out
- Up lighting columns or archways
- Mood or task lighting in any home interior and exterior
- Wooden Floors
- Decking
- Paving
- Stair skirting
- Concrete

SPECIFICATIONS:

Glass:	Clear
Beam Angle:	40°-75°
Material:	Stainless Steel Natural Finish
Weight:	197.3g
Flange Size:	Ø48mm
Mounting Hole Size:	Ø36mm
Ferrule Size:	M10 or 8mm Smooth
Min. Fiber Size:	Ø2mm
Max Fiber Size:	Ø8mm

ORDERING

MODEL

ILL-PA-19

1.88"

Stainless Steel
Fiber Optic End Fitting
with Flat Front
& Internal Domed Lens

ILLUMINATI

A DIVISION OF IMPACT LIGHTING INC.

2101 West Central Blvd. Orlando, Florida 32805 USA • Phone: 1.800.507.5714 • Email: sales@impactlightinginc.com

www.ledfiberopticlightsources.com