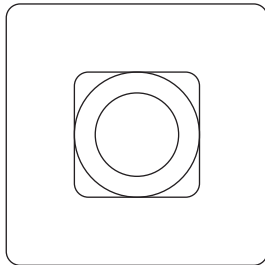
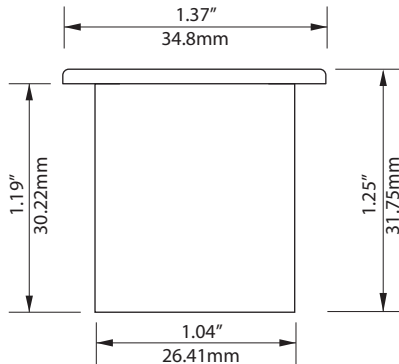


PROJECT	DATE
TYPE	QTY

INDOOR/OUTDOOR FIBER OPTIC END FITTING



ILL-PA-13



DESCRIPTION:

Manufactured from stainless steel this square walkover paver light comes with a choice of clear or frosted glass. Clear glass allows greater light output while frosted creates more of a marker effect. Suitable for use in a variety of different applications these lights are the ideal solution for indoor and outdoor floor level lighting.

USES:

- Marker lighting for pathways and entrances
- Wall washing, inside or out
- Up lighting columns or archways
- Mood or task lighting in any home interior and exterior
- Wooden Floors
- Decking
- Paving
- Stair skirting
- Concrete

SPECIFICATIONS:

Glass:	Clear or Frosted
Beam Angle:	45°
Material:	Stainless Steel Natural Finish
Weight:	82.4g
Flange Size:	Ø35mm
Mounting Hole Size:	Ø28mm
Ferrule Size:	M10 or 8mm Smooth
Min. Fiber Size:	Ø2mm
Max Fiber Size:	Ø8mm

ORDERING

Example: ILL-PA-13 - CG ILL-PA-13 with clear glass lens

MODEL

ILL-PA-13

1.37"

Stainless Steel Square
Fiber Optic End Fitting

LENS FINISH

- CG** - Clear Glass
FG - Frosted Glass

ILLUMINATI

A DIVISION OF IMPACT LIGHTING INC.

2101 West Central Blvd. Orlando, Florida 32805 USA • Phone: 1.800.507.5714 • Email: sales@impactlightinginc.com

www.ledfiberopticlightsources.com