

Specifier's Reference
Project
Type
Model No.
Comments or Special Instructions

# ILL-HF-2C HERMENTIC DOWNLIGHT FITTING

## APPLICATION

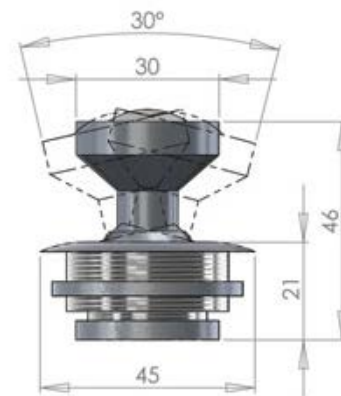
This downlight fitting with our classic trumpet allows an airtight seal to be maintained within a display case when using fibre optics.

Highly suitable for use in museum or other display cases, these fittings use a series of o-rings around the flange, eyeball and ferrule.

With a directional and focusable trumpet, the light beam can be adjusted to perfectly light the desired object.

## SPECIFICATION

Glass:	Clear domed focusing lens
Material:	Aluminium
Colours available:	Polished aluminium; black; white; chrome
Focus range (trumpet A):	40° - 65°
Focus range (trumpet B):	∅45mm
Rotate:	360°
Weight:	50g
Mounting method:	Secured with retaining ring
Mounting hole size:	38mm
Ferrule size:	M10 or 8mm smooth
Min. Fibre size:	∅2mm
Max. Fibre size:	∅8mm



## Ordering Information

ILL-DF-2C