

Specifier's Reference
Project
Type
Model No.
Comments or Special Instructions

ILL-HF-1C HERMETIC DOWNLIGHT FITTING

APPLICATION

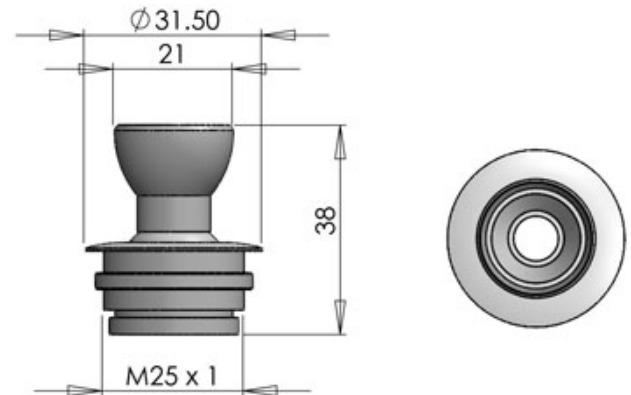
This mini hermetic downlight fitting is available with two trumpets, wide and narrow angled, to allow for extended focussing.

Highly suitable for use in museum or other display cases, these fittings use a series of o-rings around the flange, eyeball and ferrule.

With a directional and focusable eyeball, the light beam can be adjusted to perfectly light the desired object.

SPECIFICATION

Glass:	Clear domed focusing lens
Material:	Aluminium
Colours available:	Polished aluminium; black; white; chrome
	25° - 65° (trumpet A) / 70° - 120° (trumpet B)
Flange size:	Ø31.5mm
Tilt:	60°
Rotate:	360°
Weight:	19.2g
Mounting method:	Secured with retaining ring
Mounting hole size:	27mm
Ferrule size:	M8
Min. fibre size:	Ø2mm
Max. fibre size:	Ø6mm



Ordering Information

ILL-HF-1C

