

Specifier's Reference
Project
Type
Model No.
Comments or Special Instructions

ILL-SF-P4C SUBMERSION FITTING

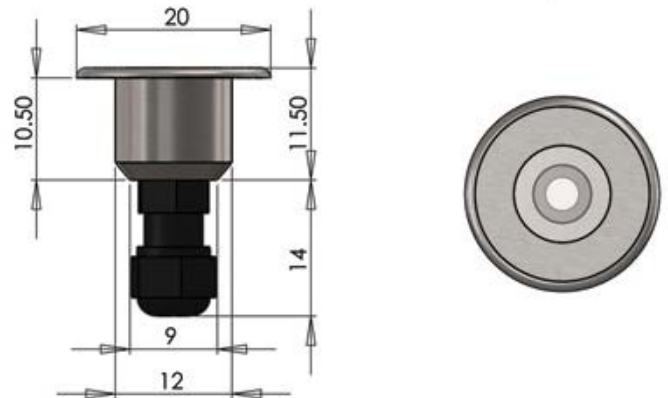
APPLICATION

A small stainless steel end fitting with clear glass window for sheathed polymer fibre of 1.5mm to 2mm active diameter.

Comes fitted with a nickel plated brass gland to allow for connection to the fibre and to prevent moisture ingress below the lens.

The P4C is suitable for use in swimming pool floors and other wet areas to give a starfield like effect. Can also be used on pathways and other paved areas to give a similar effect.

Glass:	Ø10mm clear flat window
Material:	Stainless steel
Colours available:	Natural
Beam angle:	65°
Flange size:	Ø20mm
Weight:	12g
Mounting hole size:	12.5mm
Ferrule size:	N/A
Min. fibre size:	Ø1.5mm
Max. fibre size:	Ø2mm



Ordering Information

ILL-SF-P4C

